

Refinish Market Catalog

Gun Maintenance Guide



SPRAY EQUIPMENT



Take out fluid adjustment knob and needle spring



and also needle as well



take off the air cap



Unscrew fluid nozzle with spanner wrench*



Clean the material passage with brush



Clean the material passage with brush



Dry with air duster gun



Dry with air duster gun



Clean small holes on the fluid nozzle with a special tiny brush



and clean also nozzle orifice



Clean tip of the nozzle carefully with brush



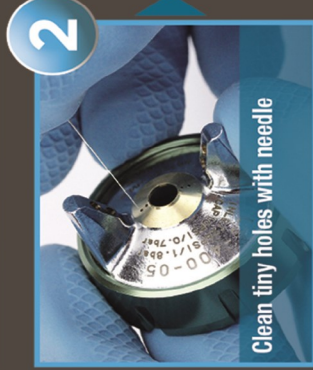
Clean also thread of the nozzle carefully with brush



Clean the fluid nozzle internally with the correct size brush



Clean the air cap center hole



Clean tiny holes with needle



Clean horn holes with special tiny brush



and the back side as well

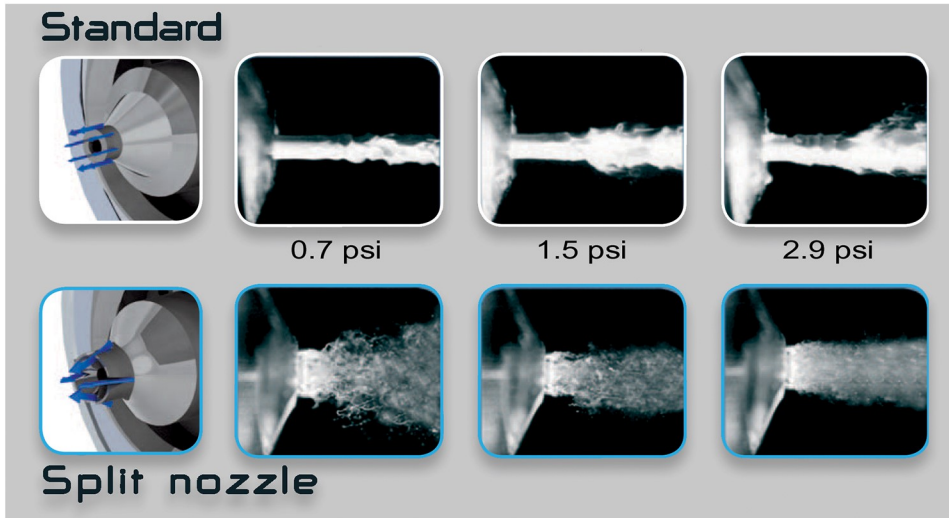


Clean needle

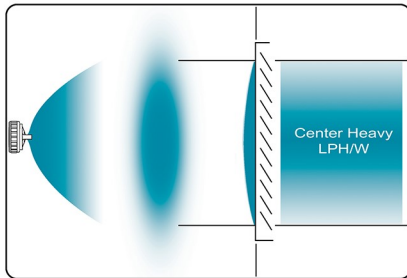


Anest Iwata is your finishing solution.

Anest Iwata is engineered atomization.
Engineered for basecoat, clearcoats, undercoats, and performance coatings.

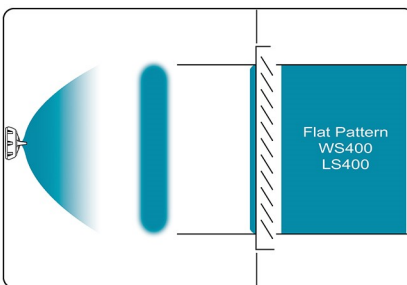


Our patented LV Technology nozzle design features higher fluid delivery that facilitates faster, smoother application. The result is higher transfer efficiency rate, resulting in greater material savings.



Center Heavy Pattern

- Center Heavy Deposition spray guns. LPH/W
- Deposits paint onto surface with a slight raise in the center of the pattern.
- Overlapping 75-80%, will allow solvent product to knit together to wet out.
- Excellent for Solvent technology



Flat Pattern

- Created many years ago and incorporated into the WS/LS Series.
- This pattern is excellent for waterborne, compliant solvents, and specialty pigments.
- Creates evenness of application.
- Pigments and resins are dispersed evenly from the top of the pattern to the bottom.

This technology combined with the tulip fan shape creates excellent color match, unequalled transfer efficiency, and finish quality that is second to none.

Professionally distributed by ASET



3703 West Parkway Blvd. West Valley City, UT 84120
Ph| 800-628-5449 Email| orders@asetusa.com
www.asetusa.com

Compliant

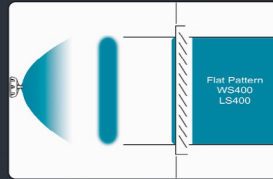


WS400 EVO



- Longer wider pattern
- Very fine atomization
- Smooth fast application
- Superior for clear coat and single stage coatings
- EPA NESHAP 40 CFR, PART 63 SUBPART 6H
- Compliant in the North America

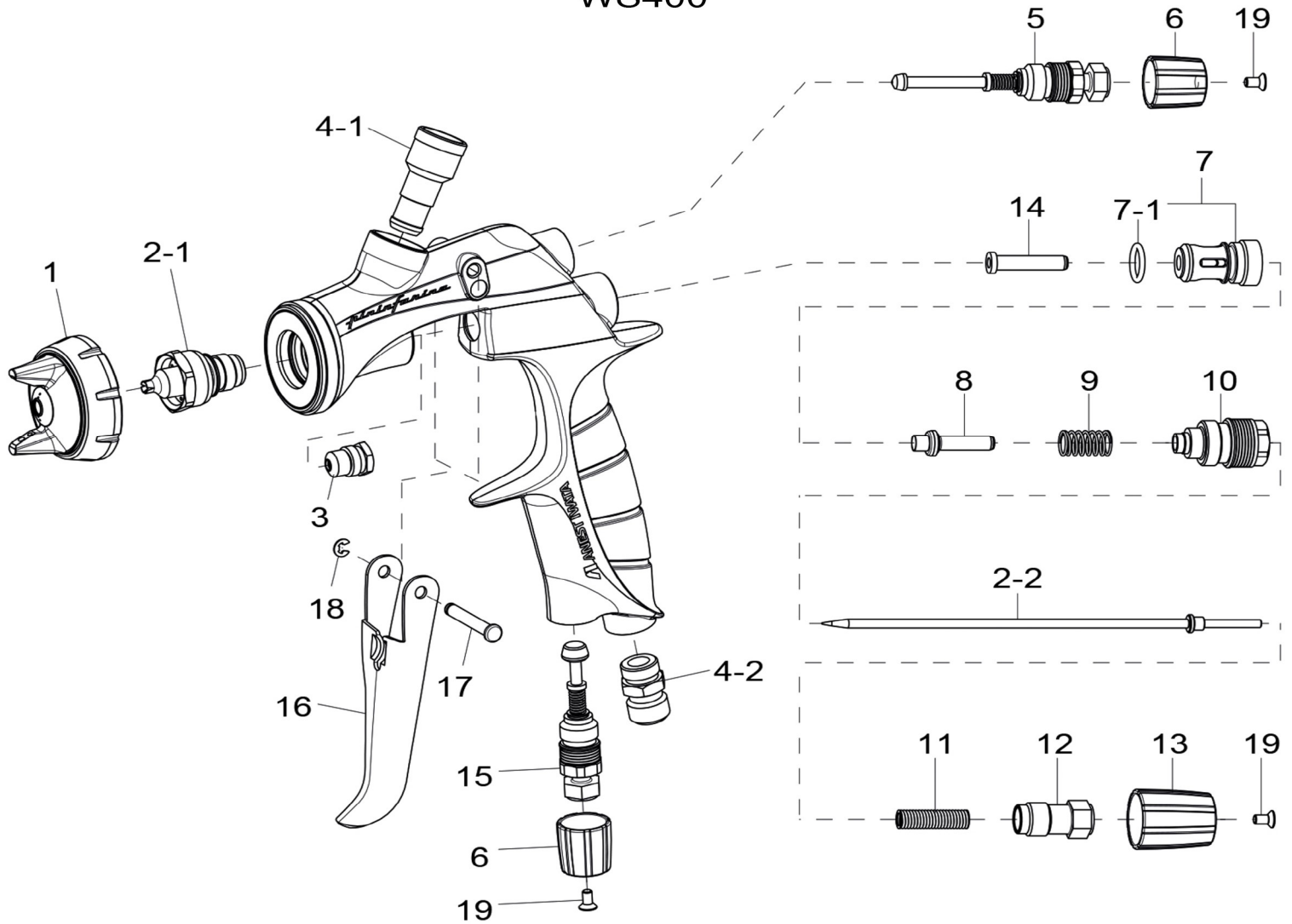
WS-400
evotech



WS400 is packaged with a compliant regulator

| MODEL | GUN ONLY | WITH 8130B | WITH 8130B & 600 ml | WITH 8130B & 700 ml | WITH 8130B & 1000 ml | AIR CAP MODEL | NOZZLE mm (in) | ATOMIZING PSI | CFM | FLUID ml/min | WEIGHT g (lbs) |
|---------------|----------|------------|---------------------|---------------------|----------------------|---------------|----------------|---------------|-------|--------------|----------------|
| WS400 1201 HD | 5904 | 5900 | 5901 | 5902 | 5903 | WS400-01 | 1.2 (0.047) | 29 | 12.57 | 200 | 423 (.93) |
| WS400 OBS | 5924 | 5920 | 5921 | 5922 | 5923 | WS400-01 | 1.3 (0.051) | 29 | 12.57 | 160 | 423 (.93) |
| WS400 1301 HD | 5909 | 5905 | 5906 | 5907 | 5908 | WS400-01 | 1.3 (0.051) | 29 | 12.57 | 220 | 423 (.93) |
| WS400 1401 HD | 5914 | 5910 | 5911 | 5912 | 5913 | WS400-01 | 1.4 (0.055) | 29 | 12.57 | 240 | 423 (.93) |
| WS400 1501 HD | 5919 | 5915 | 5916 | 5917 | 5918 | WS400-01 | 1.25 (0.059) | 29 | 12.57 | 260 | 423 (.93) |

| 600 ML PLASTIC | 700 ML ALUMINUM | 1000 ML ALUMINUM | REPLACEMENT BLUE LID | REBUILD KIT | COMPACT REGULATOR | PISTON REGULATOR |
|----------------|-----------------|------------------|----------------------|-------------|-------------------|------------------|
| 6039 | 6032D | 6038D | 94008321 | 5652 | 8130B | 8131B |
| | | | | | | |



| REF# | PART # | DESCRIPTION | REMARKS |
|------|----------|--------------------------|---------|
| 1 | 93505300 | WS400 AIR CAP | WS400HD |
| 2-1 | 93505870 | FLUID NOZZLE 1.2HD | WS400HD |
| 2-1 | 93506860 | FLUID NOZZLE OBS | WS400HD |
| 2-1 | 93506940 | FLUID NOZZLE 1.3HD | WS400HD |
| 2-1 | 93506950 | FLUID NOZZLE 1.4HD | WS400HD |
| 2-1 | 93506960 | FLUID NOZZLE 1.5HD | WS400HD |
| 2-2 | 93829600 | FLUID NEEDLE 1.2 | WS400HD |
| 2-2 | 93830600 | FLUID NEEDLE 1.3-1.5/OBS | |
| SET | 93505880 | NOZZLE/NEEDLE ASSY 1.2HD | WS400HD |
| SET | 93506850 | NOZZLE/NEEDLE ASSY OBS | WS400HD |
| SET | 93506910 | NOZZLE/NEEDLE ASSY 1.3HD | WS400HD |
| SET | 93506920 | NOZZLE/NEEDLE ASSY 1.4HD | WS400HD |
| SET | 93506930 | NOZZLE/NEEDLE ASSY 1.5HD | WS400HD |
| 3 | 93765610 | CARTRIDGE PACKING ASSY | |
| 4-1 | 93505421 | FLUID NIPPLE 1/4" | |
| 4-2 | 93660300 | AIR NIPPLE 1/4" | |
| 5 | 93505432 | PATTERN ADJUST SET (NEW) | |
| 6 | 93505471 | ADJUST KNOB (NEW) | |

| REF# | PART # | DESCRIPTION |
|----------------------|----------|---|
| 7 | 93843530 | AIR VALVE SEAT SET |
| 7-1 | 96638008 | O RING |
| 8 | 93505480 | AIR VALVE |
| 9 | 93719530 | AIR VALVE SPRING |
| 10 | 93505492 | FLUID ADJUST GUIDE SET |
| 11 | 93593530 | FLUID NEEDLE SPRING |
| 12 | 93505822 | FLUID ADJUST SCREW SET (NEW) |
| 13 | 93505831 | FLUID ADJUST KNOB (NEW) |
| 14 | 93935430 | AIR VALVE SHAFT |
| 15 | 93505842 | AIR ADJUST SET (NEW) |
| 16 | 93505850 | TRIGGER |
| 17 | 93505860 | TRIGGER STUD |
| 18 | 96612025 | E STOPPER |
| 19 | 93506970 | STAR FLAT HEAD BOLT |
| N/P | 93505341 | AIR CAP GASKET (BLACK) |
| N/P | 93505330 | AIR CAP GASKET (WHITE) |
| N/P | 5652 | REPAIR KIT (Includes Ref# 3,7,9,11,17,18) |
| **N/P Not Pictured** | | 2018 EDITION |

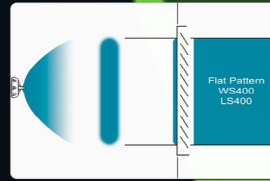
HVLP



LS400 ENTECH



- HVLP Technology
- Concentrated Coarse Atomization
- Excellent for solvent or waterborne base coat application
- Ergonomic design for comfort



| MODEL | GUN ONLY | WITH 600 ML | WITH 700 ML | WITH 1000 ML | AIR CAP MODEL INSIDE AIR CAP (PSI) | NOZZLE mm (inch) | ATOMIZING PSI | CFM | FLUID ml/min | PATTERN mm (inch) | WEIGHT g (lbs) |
|------------|----------|-------------|-------------|--------------|------------------------------------|------------------|---------------|-------|--------------|-------------------|----------------|
| LS400-1205 | 5930 | 5931 | 5932 | 5933 | LS400-05 GREEN (10 PSI) | 1.2 (0.047) | 26 | 14.12 | 150 | 350 (13.75) | 423(0.93) |
| LS400-1305 | 5935 | 5936 | 5937 | 5938 | LS400-05 GREEN (10 PSI) | 1.3 (0.051) | 26 | 14.12 | 160 | 350 (13.75) | 423(0.93) |
| LS400-1405 | 5940 | 5941 | 5942 | 5943 | LS400-05 GREEN (10 PSI) | 1.4 (0.055) | 26 | 14.12 | 170 | 360 (14.18) | 423(0.93) |
| LS400-1505 | 5945 | 5946 | 5947 | 5948 | LS400-05 GREEN (10 PSI) | 1.5 (0.059) | 26 | 14.12 | 180 | 365 (14.38) | 423(0.93) |

| |
|----------------------|
| LS400 1.2ET GUN ONLY |
| PART # 8930 |

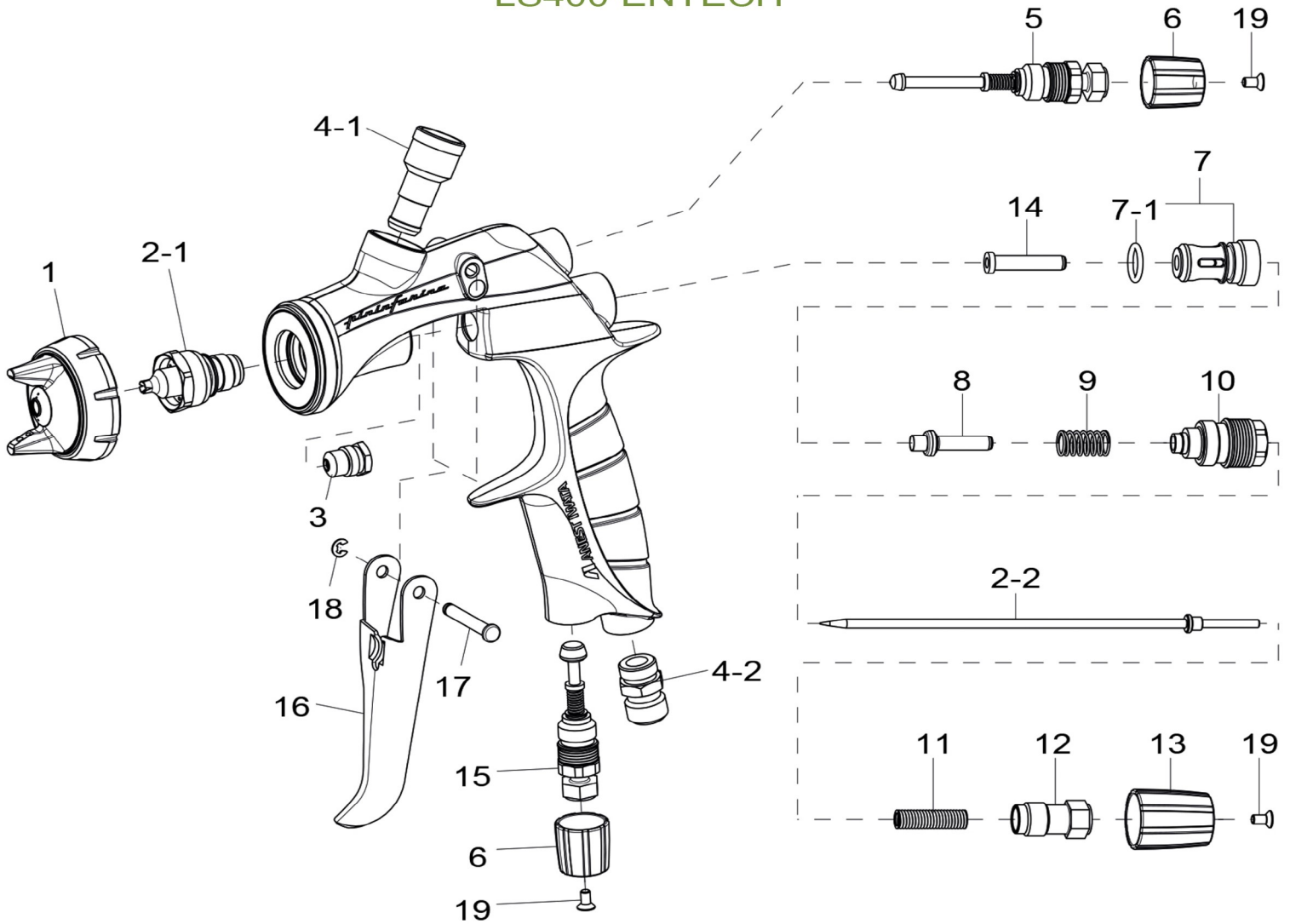
| SPECIALTY NOZZLES | PART # |
|----------------------------|------------|
| 1.0 ET NOZZLE | 93003150 |
| 1.1 ET NOZZLE | 93003190 |
| 1.2 ET (NOZZLE/NEEDLE SET) | 93512140S1 |

* PLEASE REFER TO YOUR PAINT COMPANY FOR RECOMMENDED SPRAYING PRESSURE *

| 600 ML PLASTIC | 700 ML ALU-MINUM | 1000 ML ALUMINUM | REPLACEMENT BLUE LID | REBUILD KIT | COMPACT REGULATOR | PISTON REGULATOR |
|----------------|------------------|------------------|----------------------|-------------|-------------------|------------------|
| 6039 | 6032D | 6038D | 94008321 | 5652 | 8130B | 8131B |
| | | | | | | |

ANEST IWATA

LS400 ENTECH



| REF# | PART # | DESCRIPTION | REMARKS |
|------|----------|----------------------------|---------------|
| 1 | 93512100 | LS-400 AIR CAP ASSY 05 | GREEN |
| 2-1 | 93512770 | FLUID NOZZLE ETS 1.2 | ENTECH |
| 2-1 | 93512790 | FLUID NOZZLE ETS 1.3 | ENTECH |
| 2-1 | 93513130 | FLUID NOZZLE ETS 1.4 | ENTECH |
| 2-1 | 93513150 | FLUID NOZZLE ETS 1.5 | ENTECH |
| 2-2 | 93829600 | FLUID NEEDLE | 1.2 |
| 2-2 | 93830600 | FLUID NEEDLE | 1.3, 1.4, 1.5 |
| SET | 93512760 | NOZZLE NEEDLE ASSY ETS 1.2 | ENTECH |
| SET | 93512780 | NOZZLE NEEDLE ASSY ETS 1.3 | ENTECH |
| SET | 93513120 | NOZZLE NEEDLE ASSY ETS 1.4 | ENTECH |
| SET | 93513140 | NOZZLE NEEDLE ASSY ETS 1.5 | ENTECH |
| 3 | 93765610 | CARTRIDGE PACKING ASSY | |
| 4-1 | 93505421 | FLUID NIPPLE 1/4" | |
| 4-2 | 93660300 | AIR NIPPLE 1/4" | |
| 5 | 93505432 | PATTERN ADJUST ASSY | |
| 6 | 93512290 | ENTECH ADJUST KNOB (GREEN) | GREEN |
| N/P | 93505341 | AIR CAP GASKET (BLACK) | |

| REF# | PART # | DESCRIPTION |
|--------------------|----------|---|
| 7 | 93843530 | AIR VALVE SEAT SET |
| 7-1 | 96638008 | O RING |
| 8 | 93505480 | AIR VALVE |
| 9 | 93719530 | AIR VALVE SPRING |
| 10 | 93505492 | FLUID ADJUST GUIDE SET |
| 11 | 93593530 | FLUID NEEDLE SPRING |
| 12 | 93505822 | FLUID ADJUST SCREW SET |
| 13 | 93512730 | ENTECH FLUID ADJUST KNOB (GREEN) |
| 14 | 93935430 | AIR VALVE SHAFT |
| 15 | 93505842 | AIR ADJUST SET |
| 16 | 93505850 | TRIGGER |
| 17 | 93505860 | TRIGGER STUD |
| 18 | 96612025 | E STOPPER |
| 19 | 93506970 | STAR FLAT HEAD BOLT |
| N/P | 93505330 | AIR CAP GASKET (WHITE) |
| N/P | 5652 | REPAIR KIT (Includes Ref #'s 3, 7, 9, 11, 17, 18) |
| *N/P Not Pictured* | | 2018 EDITION |

HVLP

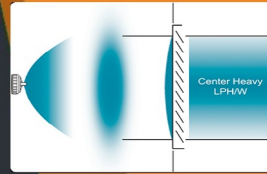


LPH400LV
LPH400LVX
LPH400LVB



Designed to increase productivity for 90 to 95% of all basecoats

Designed with excellent metallic control for the most difficult basecoats

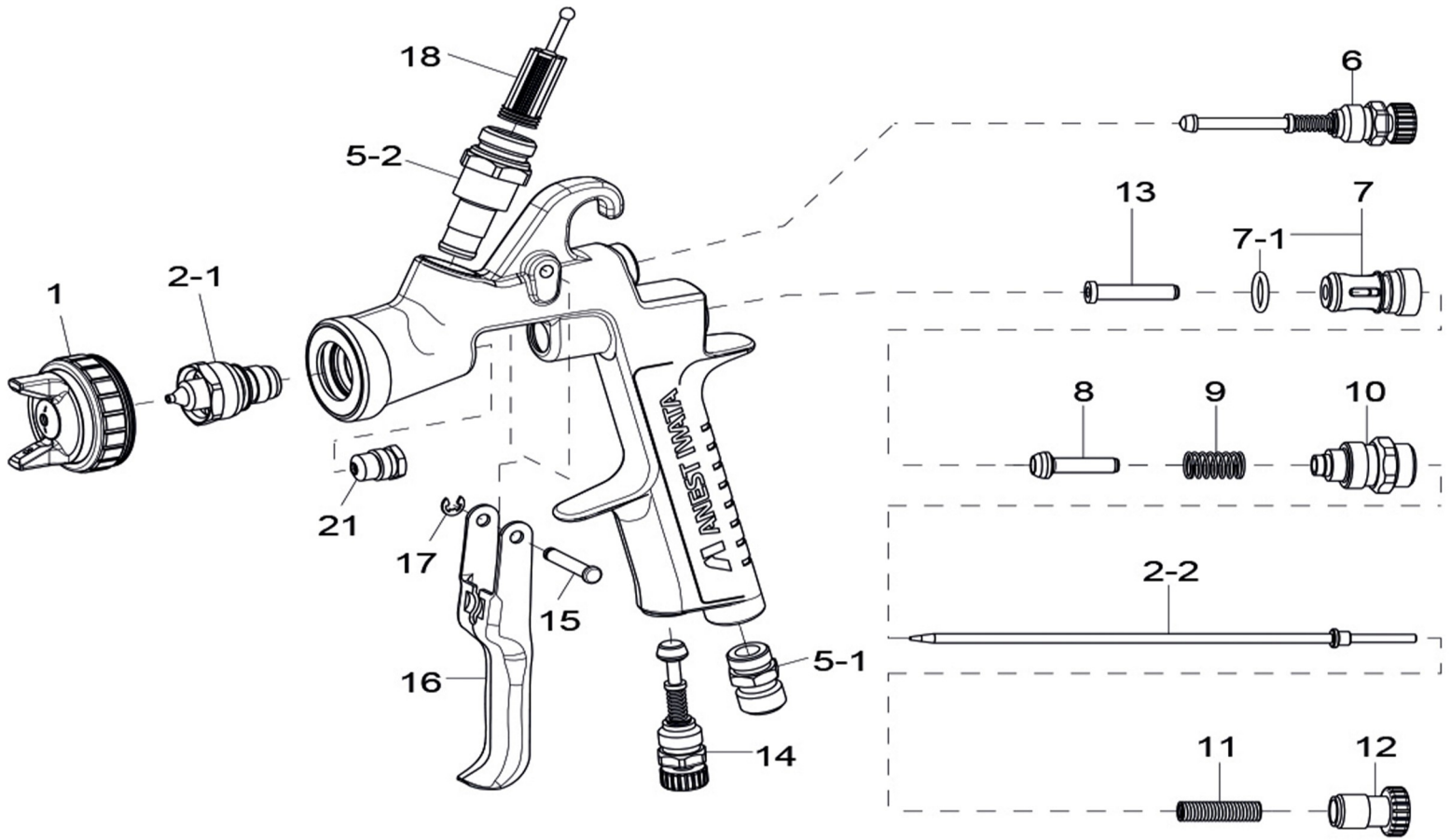


| MODEL | GUN ONLY | WITH 600 ML | WITH 700 ML | WITH 1000 ML | NOZZLE mm (inch) | PSI | CFM | PATTERN WIDTH mm (inch) |
|---------------|----------|-------------|-------------|--------------|------------------|-----|-----|-------------------------|
| LPH400-124LV | 5540 | 5541 | 5542 | 5543 | 1.2 (0.047) | 16 | 9.5 | 259 (10.2) |
| LPH400-134LV | 5640 | 5641 | 5642 | 5643 | 1.3 (0.051) | 16 | 9.5 | 279 (11.0) |
| LPH400-144LV | 5550 | 5551 | 5552 | 5553 | 1.4 (0.055) | 16 | 9.5 | 290 (11.4) |
| LPH400-154LV | 5535 | 5536 | 5537 | 5538 | 1.5 (0.059) | 16 | 9.5 | 295 (11.6) |
| LPH400-164LV | 5560 | 5561 | 5562 | 5563 | 1.6 (0.063) | 16 | 9.5 | 300 (11.8) |
| LPH400-184LV | 5570 | 5571 | 5572 | 5573 | 1.8 (0.071) | 16 | 9.5 | 320 (12.6) |
| LPH400-134LVX | 5660 | 5661 | 5662 | 5663 | 1.3 (0.051) | 16 | 9.8 | 300 (11.8) |
| LPH400-144LVX | 5670 | 5671 | 5672 | 5673 | 1.4 (0.055) | 16 | 9.8 | 310 (12.2) |
| LPH400-154LVX | 5680 | 5681 | 5682 | 5683 | 1.5 (0.059) | 16 | 9.8 | 330 (13.0) |
| LPH400-134LVB | 5700 | 5701 | 5702 | 5703 | 1.3 (0.051) | 14 | 8.3 | 320 (12.6) |
| LPH400-144LVB | 5705 | 5706 | 5707 | 5708 | 1.4 (0.055) | 14 | 8.3 | 325 (12.8) |
| LPH400-154LVB | 5710 | 5711 | 5713 | 5713 | 1.5 (0.059) | 14 | 8.3 | 335 (13.2) |

| 600 ML PLASTIC | 700 ML ALUMINUM | 1000 ML ALUMINUM | REPLACEMENT BLUE LID | LVX AIRCAP | LVB AIRCAP | REBUILD KIT |
|----------------|-----------------|------------------|----------------------|------------|------------|-------------|
| 6000 | 6033E | 6034E | 94008321 | 93548700 | 93524650 | 5650 |
| | | | | | | |

ANEST IWATA

LPH400LV|LVX|LVB



| REF# | PART # | DESCRIPTION | REMARKS |
|------|----------|------------------------------|-----------------|
| 1 | 93874601 | AIR CAP SET "LV" | SILVER RING |
| 1 | 93524650 | AIR CAP SET "LVB" | PURPLE RING |
| 1 | 93548700 | AIR CAP SET "LVX" | ORANGE RING |
| 2-1 | 93552600 | FLUID NOZZLE 1.2LV | MARKED 400LV/12 |
| 2-1 | 93896600 | FLUID NOZZLE 1.3LV | MARKED 400LV/13 |
| 2-1 | 93547600 | FLUID NOZZLE 1.4LV | MARKED 400LV/14 |
| 2-1 | 93515650 | FLUID NOZZLE 1.5LV | MARKED 400LV/15 |
| 2-1 | 93553600 | FLUID NOZZLE 1.6LV | MARKED 400LV/16 |
| 2-1 | 93554600 | FLUID NOZZLE 1.8LV | MARKED 400LV/18 |
| 2-2 | 93829600 | FLUID NEEDLE 1.2 | MARKED 40012 |
| 2-2 | 93830600 | FLUID NEEDLE 1.3/1.4/1.5/1.6 | MARKED 20015 |
| 2-2 | 93831600 | FLUID NEEDLE 1.8 | MARKED 20020 |
| SET | 93880600 | NOZZLE/NEEDLE SET 1.2LV | LV |
| SET | 93897600 | NOZZLE/NEEDLE SET 1.3LV | LV / LVB / LVX |
| SET | 93873600 | NOZZLE/NEEDLE SET 1.4LV | LV / LVB / LVX |
| SET | 93516650 | NOZZLE/NEEDLE SET 1.5LV | LV / LVB / LVX |
| SET | 93882600 | NOZZLE/NEEDLE SET 1.6LV | LV |
| SET | 93884600 | NOZZLE/NEEDLE SET 1.8LV | LV |
| N/P | 93512600 | AIR CAP GASKET (BLACK) | |
| N/P | 93708240 | AIR CAP GASKET (WHITE) | |

| REF# | PART # | DESCRIPTION |
|--------------------|----------|---|
| 5-1 | 93660300 | AIR NIPPLE 1/4" |
| 5-2 | 93650531 | FLUID NIPPLE |
| 6 | 93842601 | PATTERN ADJUST SET |
| 7 | 93843530 | AIR VALVE SEAT SET |
| 7-1 | 96638008 | ORING |
| 8 | 93591530 | AIR VALVE |
| 9 | 93719530 | AIR VALVE SPRING |
| 10 | 93844532 | FLUID ADJUST GUIDE SET |
| 11 | 93593530 | FLUID NEEDLE SPRING |
| 12 | 93594532 | FLUID ADJUST KNOB |
| 13 | 93935430 | AIR VALVE SHAFT |
| 14 | 93845531 | AIR ADJUST SET |
| 15 | 93667360 | TRIGGER STUD |
| 16 | 93517600 | TRIGGER |
| 17 | 93912030 | STOPPER (2 PACK) |
| 18 | 93515500 | FILTER (60 MESH) |
| 21 | 93765610 | CARTRIDGE PACKING |
| N/P | 93538600 | GUN WRENCH |
| N/P | 5650 | REPAIR KIT (Includes Ref# 5-1,7,9,13,15,16) |
| *N/P Not Pictured* | | 2018 EDITION |

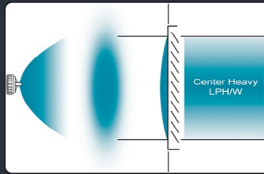
Compliant



W400LV



- High Transfer efficiency control
- Superior atomization
- Patent “LV Technology”



ANEST IWATA W400-LV spray gun complies with regulations for the application of coatings within specific areas and approval is subject to the conditions of your regional air quality agency.

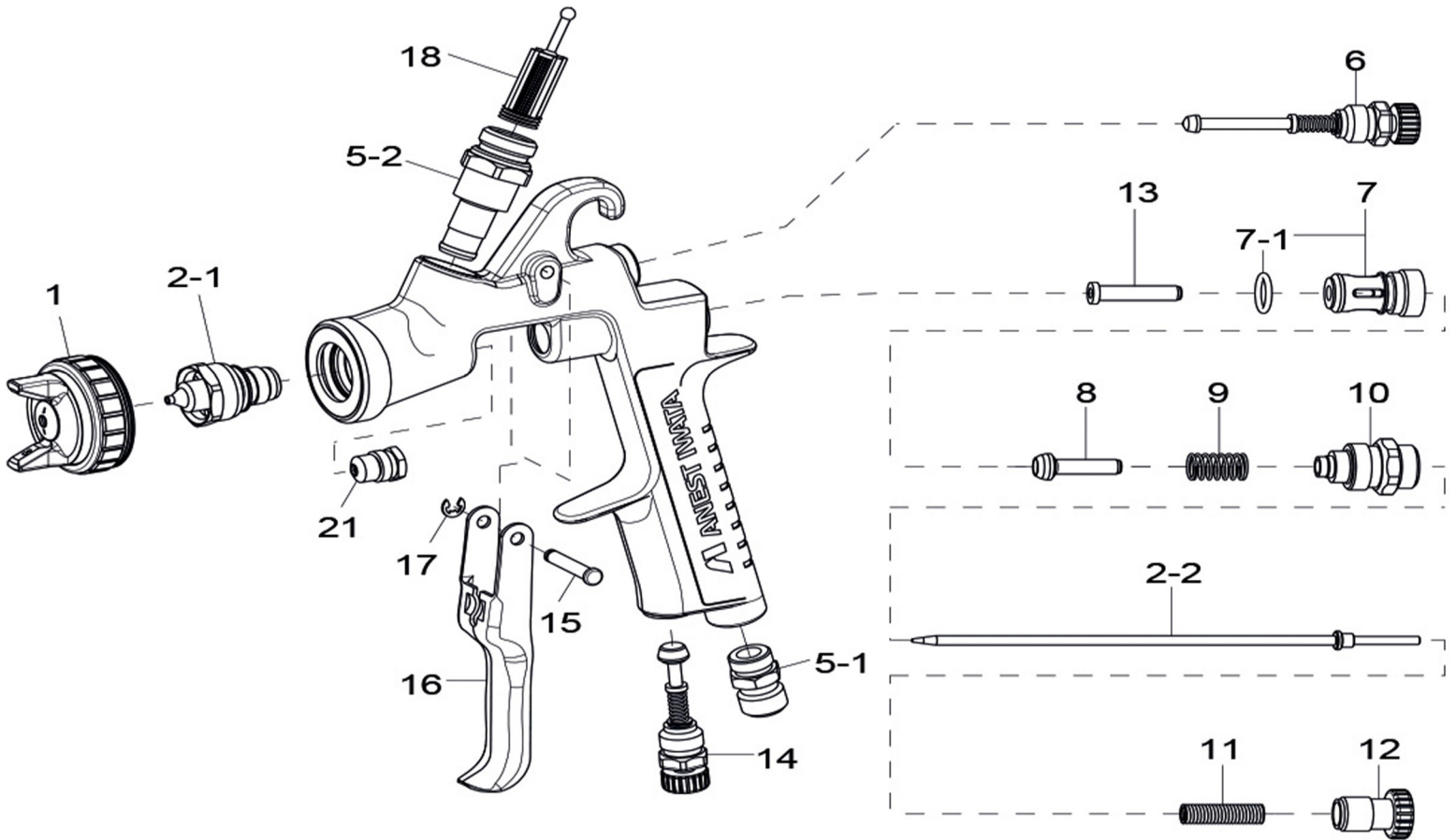
*W400LV is compliant when used with an approved Anest Iwata regulator.

| MODEL | GUN ONLY | WITH 600 ML | WITH 700 ML | WITH 1000 ML | NOZZLE mm (inch) | PSI | CFM | PATTERN WIDTH mm (inch) |
|------------------------------------|----------|-------------|-------------|--------------|------------------|-----|-----|-------------------------|
| W400LV-124G | 4750 | 4751 | 4752 | 4753 | 1.2 (0.047) | 20 | 10 | 249 (9.8) |
| W400LV-124G w/ Compliant Regulator | 4855 | 4856 | 4857 | 4858 | 1.2 (0.047) | 20 | 10 | 249 (9.8) |
| W400LV-134G | 4755 | 4756 | 4757 | 4758 | 1.3 (0.051) | 20 | 10 | 269 (10.6) |
| W400LV-134G w/ Compliant Regulator | 4860 | 4861 | 4862 | 4863 | 1.3 (0.051) | 20 | 10 | 269 (10.6) |
| W400LV-144G | 4760 | 4761 | 4762 | 4763 | 1.4 (0.055) | 20 | 10 | 290 (11.4) |
| W400LV-144G w/ Compliant Regulator | 4865 | 4866 | 4867 | 4868 | 1.4 (0.055) | 20 | 10 | 290 (11.4) |
| W400LV-164G | 4765 | 4766 | 4767 | 4768 | 1.6 (0.063) | 20 | 10 | 305 (12.0) |
| W400LV-164G w/ Compliant Regulator | 4870 | 4871 | 4872 | 4873 | 1.6 (0.063) | 20 | 10 | 305 (12.0) |
| W400LV-184G | 4770 | 4771 | 4772 | 4773 | 1.8 (0.063) | 20 | 10 | 325 (12.8) |
| W400LV-184G w/ Compliant Regulator | 4875 | 4876 | 4877 | 4878 | 1.8 (0.063) | 20 | 10 | 325 (12.8) |

| 600 ML PLASTIC | 700 ML ALUMINUM | 1000 ML ALUMINUM | REPLACEMENT BLUE LID | REBUILD KIT | COMPACT REGULATOR | PISTON REGULATOR |
|----------------|-----------------|------------------|----------------------|-------------|-------------------|------------------|
| 6000 | 6033E | 6034E | 94008321 | 5650 | 8130B | 8131B |
| | | | | | | |

ANEST IWATA

W400LV COMPLIANT



| REF# | PART # | DESCRIPTION | REMARKS |
|------|----------|--------------------------|-----------------|
| 1 | 93631621 | AIR CAP "LV4" | |
| 2-1 | 93624610 | FLUID NOZZLE 1.2 | MARKED 400WB/12 |
| 2-1 | 93633610 | FLUID NOZZLE 1.3 | MARKED 400WB/13 |
| 2-1 | 93625610 | FLUID NOZZLE 1.4 | MARKED 400WB/14 |
| 2-1 | 93621620 | FLUID NOZZLE 1.6 | MARKED 400WB/16 |
| 2-1 | 93636620 | FLUID NOZZLE 1.8 | MARKED 400WB/18 |
| 2-2 | 93829600 | FLUID NEEDLE 1.2 | MARKED 40012 |
| 2-2 | 93830600 | FLUID NEEDLE 1.3/1.4/1.6 | MARKED 20015 |
| 2-2 | 93831600 | FLUID NEEDLE 1.8 | MARKED 20020 |
| 2 | 93627610 | NOZZLE/NEEDLE SET 1.2 | |
| 2 | 93634610 | NOZZLE/NEEDLE SET 1.3 | |
| 2 | 93628610 | NOZZLE/NEEDLE SET 1.4 | |
| 2 | 93622620 | NOZZLE/NEEDLE SET 1.6 | |
| 2 | 93635620 | NOZZLE/NEEDLE SET 1.8 | |
| 5-1 | 93660300 | AIR NIPPLE 1/4" | |
| 5-2 | 93650531 | FLUID NIPPLE | |
| 6 | 93842601 | PATTERN ADJUST SET | |
| N/P | 93538600 | GUN WRENCH | |

| REF# | PART # | DESCRIPTION |
|--------------------|----------|--|
| 7 | 93843530 | AIR VALVE SEAT SET |
| 7-1 | 96638008 | O-RING |
| 8 | 93591530 | AIR VALVE |
| 9 | 93719530 | AIR VALVE SPRING |
| 10 | 93844532 | FLUID ADJUST GUIDE SET |
| 11 | 93593530 | FLUID NEEDLE SPRING |
| 12 | 93594532 | FLUID ADJUST KNOB |
| 13 | 93935430 | AIR VALVE SHAFT |
| 14 | 93845531 | AIR ADJUST SET |
| 15 | 93667360 | TRIGGER STUD |
| 16 | 93517600 | TRIGGER |
| 17 | 93912030 | STOPPER (2 PACK) |
| 18 | 93515500 | FILTER (60 MESH) |
| 21 | 93765610 | CARTRIDGE PACKING |
| N/P | 93512600 | AIR CAP GASKET (BLACK) |
| N/P | 93708240 | AIR CAP GASKET (WHITE) |
| N/P | 5650 | REPAIR KIT (Includes Ref# 7-1,9,11,15,17,21) |
| *N/P Not Pictured* | | 2018 EDITION |

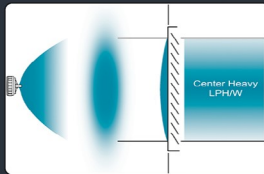
Primer | Surfacer | Sealer



LPH300LV



- Compact size and lighter weight reduces fatigue when spraying
- Fine atomization
- Full-size HVLP performance
- Unsurpassed in transfer efficiency for spraying sealers and primers



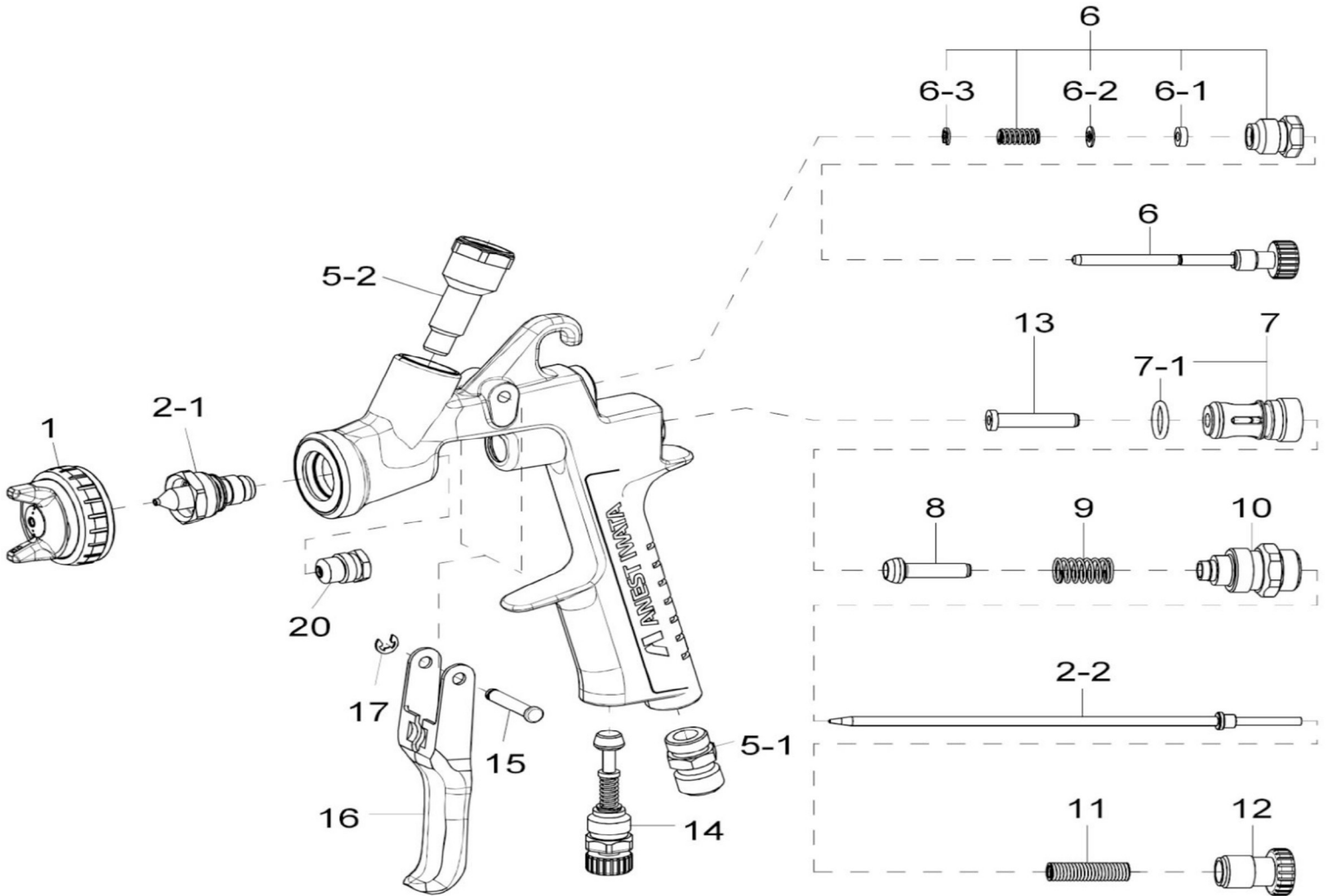
| MODEL | GUN ONLY | WITH 400 ML | WITH 700 ML | NOZZLE mm (inch) | PSI | CFM | PATTERN WIDTH mm (inch) |
|--------------|----------|-------------|-------------|------------------|-----|-----|-------------------------|
| LPH300-124LV | 3940 | 3941 | 3942 | 1.2 (0.047) | 15 | 7.1 | 210 (8.3) |
| LPH300-134LV | 3955 | 3956 | 3957 | 1.3 (0.051) | 15 | 7.1 | 220 (8.7) |
| LPH300-144LV | 3945 | 3946 | 3947 | 1.4 (0.055) | 15 | 7.1 | 230 (9.1) |
| LPH300-164LV | 3950 | 3951 | 3952 | 1.6 (0.063) | 19 | 8.5 | 230 (9.1) |
| LPH300-184LV | 3960 | 3961 | 3962 | 1.8 (0.063) | 19 | 8.5 | 230 (9.1) |
| LPH300-204LV | 3965 | 3966 | 3967 | 2.0 (0.079) | 19 | 8.5 | 230 (9.1) |

| 400 ML ALUMINUM | 700 ML ALUMINUM | REPLACEMENT BLUE LID | REBUILD KIT | COMPACT REGULATOR | PISTON REGULATOR |
|---|---|---|---|--|---|
| 6031D | 6032D | 94008321 | 5650 | 8130B | 8131B |
|  |  |  |  |  |  |



ANEST IWATA

LPH300LV



| REF# | PART # | DESCRIPTION | REMARKS |
|------|----------|--------------------------|-------------------|
| 1 | 93875602 | AIR CAP "LPH101-LV"4 | MARKED LPH101-LV4 |
| 2-1 | 93544600 | FLUID NOZZLE 1.2LV | MARKED 100LV/12 |
| 2-1 | 93624600 | FLUID NOZZLE 1.3LV | MARKED 100LV/13 |
| 2-1 | 93542600 | FLUID NOZZLE 1.4LV | MARKED 100LV/14 |
| 2-1 | 93545600 | FLUID NOZZLE 1.6LV | MARKED 100LV/16 |
| 2-1 | 93546600 | FLUID NOZZLE 1.8LV | MARKED 100LV/18 |
| 2-1 | 93622600 | FLUID NOZZLE 2.0LV | MARKED 100LV/20 |
| 2-2 | 93537600 | FLUID NEEDLE 1.2 | MARKED 10008H |
| 2-2 | 93578530 | FLUID NEEDLE 1.3/1.4/1.6 | MARKED 10013 |
| 2-2 | 93703530 | FLUID NEEDLE 1.8/2.0 | MARKED 10018 |
| SET | 93867600 | NOZZLE/NEEDLE SET 1.2LV | |
| SET | 93623600 | NOZZLE/NEEDLE SET 1.3LV | |
| SET | 93862600 | NOZZLE/NEEDLE SET 1.4LV | |
| SET | 93869600 | NOZZLE/NEEDLE SET 1.6LV | |
| SET | 93871600 | NOZZLE/NEEDLE SET 1.8LV | |
| SET | 93621600 | NOZZLE/NEEDLE SET 2.0LV | |
| 5-1 | 93660300 | AIR NIPPLE | |
| 5-2 | 93575620 | FLUID NIPPLE | |
| 6 | 93577620 | PATTERN ADJUST SET | |
| N/P | 93538600 | GUN WRENCH | |

| REF# | PART # | DESCRIPTION |
|--------------------|----------|--|
| 6-1 | | STOPPER (NOT SOLD SEPERATELY) |
| 6-2 | | WASHER (NOT SOLD SEPERATELY) |
| 6-3 | | BACK RING (NOT SOLD SEPERATELY) |
| 7 | 93843530 | AIR VALVE SEAT SET |
| 7-1 | 96638008 | O RING |
| 8 | 93591530 | AIR VALVE |
| 9 | 93719530 | AIR VALVE SPRING |
| 10 | 93844532 | FLUID ADJUST GUIDE SET |
| 11 | 93593530 | FLUID NEEDLE SPRING |
| 12 | 93594532 | FLUID ADJUST KNOB |
| 13 | 93935430 | AIR VALVE SHAFT |
| 14 | 93845531 | AIR ADJUST SET |
| 15 | 93667360 | TRIGGER STUD |
| 16 | 93597530 | TRIGGER |
| 17 | 93912030 | STOPPER (2 PACK) |
| 20 | 93765610 | CARTRIDGE PACKING |
| N/P | 93576530 | AIR CAP GASKET (BLACK) |
| N/P | 93608320 | AIR CAP GASKET (WHITE) |
| N/P | 5650 | REPAIR KIT (Includes Ref# 7-1,9,11,15,17,20) |
| *N/P Not Pictured* | | 2018 EDITION |

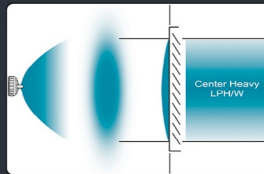
Pressure Fed



LPH200P
LPH200LVP



- High performance and lightweight
- HVLP
- Pressure Fed
- LV Pressure - Topcoat setup
- Pressure - Primer and DTM coatings
- Very large full fan pattern



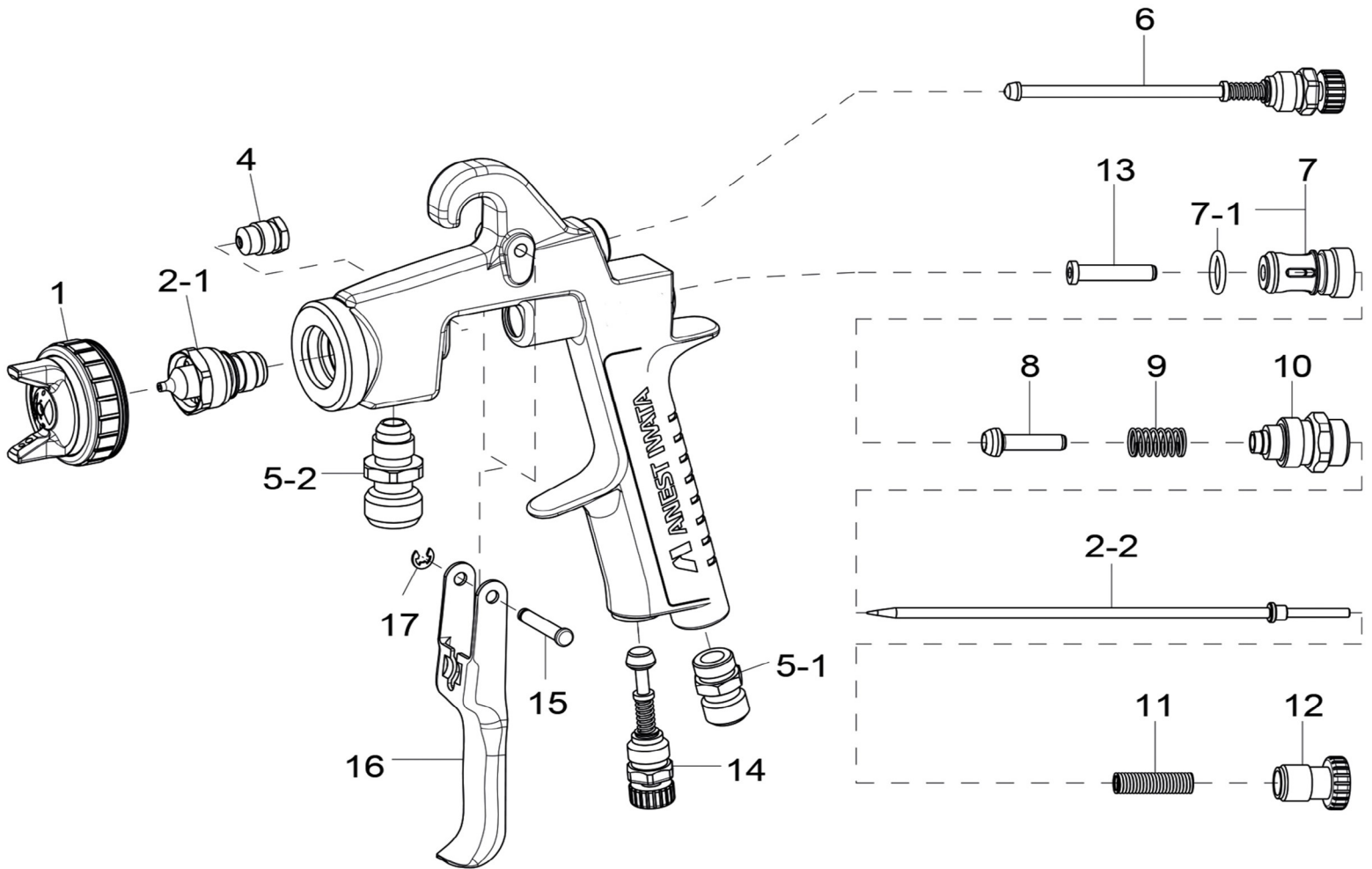
| MODEL | GUN ONLY | NOZZLE mm (inch) | PSI | CFM | PATTERN WIDTH mm (inch) |
|---------------|----------|------------------|-----|------|-------------------------|
| LPH200-102P | 5403 | 1.0 (0.039) | 28 | 17.7 | 272 (10.7) |
| LPH200-122P | 5400 | 1.2 (0.047) | 28 | 17.7 | 300 (11.8) |
| LPH200-142P | 5405 | 1.4 (0.055) | 28 | 17.7 | 318 (21.5) |
| LPH200-086LVP | 5406 | 0.8 (0.031) | 28 | 13.5 | 320 (12.6) |
| LPH200-106LVP | 5407 | 1.0 (0.039) | 28 | 13.5 | 330 (13.0) |
| LPH200-126LVP | 5408 | 1.2 (0.047) | 28 | 13.5 | 351 (13.8) |



| 1/4" AIR FITTING | 3/8" FLUID FITTING | AIR HOSE (SOLD BY THE FOOT) | FLUID HOSE (SOLD BY THE FOOT) | REBUILD KIT |
|------------------|--------------------|-----------------------------|-------------------------------|-------------|
| 8024 | 8023 | 8002 | 8009 | 5650 |
| | | | | |



ANEST
IWATA
LPH200P | LPH200LVP



| REF# | PART # | DESCRIPTION | REMARKS |
|------|----------|-------------------------|-----------------|
| 1 | 93822601 | AIR CAP SET | MARKED "G2" |
| 1 | 93587601 | AIR CAP SET | MARKED "LV6" |
| 2 | 93859600 | NOZZLE/NEEDLE SET 1.0 | LPH200P |
| 2 | 93858600 | NOZZLE/NEEDLE SET 1.2 | LPH200P |
| 2 | 93860600 | NOZZLE/NEEDLE SET 1.4 | LPH200P |
| 2 | 93593600 | NOZZLE/NEEDLE SET 0.8LV | LPH200LVP |
| 2 | 93594600 | NOZZLE/NEEDLE SET 1.0LV | LPH200LVP |
| 2 | 93595600 | NOZZLE/NEEDLE SET 1.2LV | LPH200LVP |
| 2-1 | SET ONLY | FLUID NOZZLE | SUPPLIED AS SET |
| 2-2 | SET ONLY | FLUID NEEDLE | SUPPLIED AS SET |
| 4 | 93765610 | CARTRIDGE PACKING | |
| 5-1 | 93660300 | AIR NIPPLE 1/4" | |
| 5-2 | 93515600 | FLUID NIPPLE 3/8" | |
| 6 | 93840601 | PATTERN ADJUST SET | LPH200P/LPH2003 |
| 6 | 93898600 | PATTERN ADJUST SET | LPH200LVP |
| 7 | 93843530 | AIR VALVE SEAT SET | |

| REF# | PART # | DESCRIPTION |
|--------------------|----------|--|
| 7-1 | 96638008 | O RING |
| 8 | 93591530 | AIR VALVE |
| 9 | 93719530 | AIR VALVE SPRING |
| 10 | 93844532 | FLUID ADJUST GUIDE SET |
| 11 | 93593530 | FLUID NEEDLE SPRING |
| 12 | 93594532 | FLUID ADJUST KNOB |
| 13 | 93935430 | AIR VALVE SHAFT |
| 14 | 93845531 | AIR ADJUST SET |
| 15 | 93667360 | TRIGGER STUD |
| 16 | 93517600 | TRIGGER |
| 17 | 93912030 | STOPPER (2 PACK) |
| N/P | 93512600 | AIR CAP GASKET (BLACK) |
| N/P | 93708240 | AIR CAP GASKET (WHITE) |
| N/P | 93538600 | GUN WRENCH |
| N/P | 5650 | REPAIR KIT (Includes Ref# 7-1,9,11,15,17,20) |
| *N/P Not Pictured* | | 2018 EDITION |

Pressure Fed



WS200SP

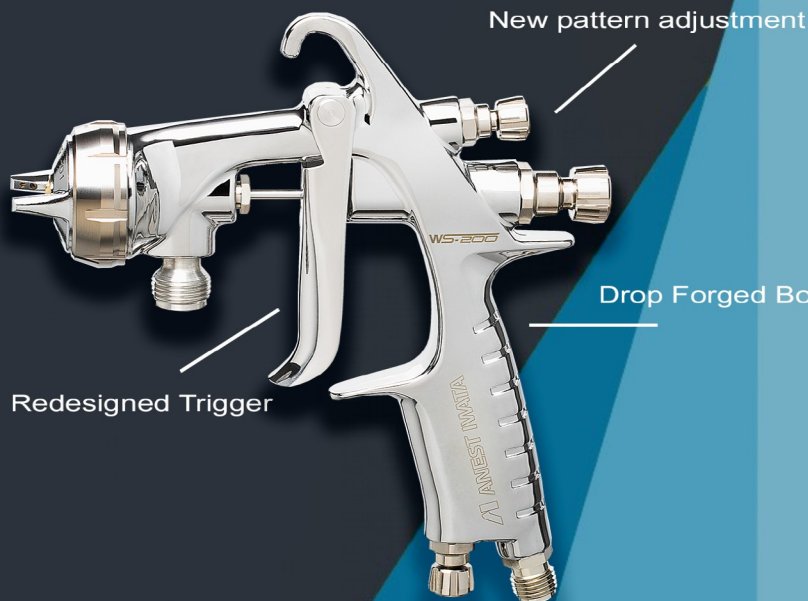


- Finer spray pattern
- Fine, soft surface application
- High material transfer rates
- Unparalleled finish results
- Reduced overspray
- Evenly distributed, consistent spray pattern
- New baffle system to enhance atomization and to ease cleaning

WS-200

| MODEL | GUN ONLY | NOZZLE mm (inch) | PSI | CFM | PATTERN WIDTH mm (inch) |
|----------------|----------|------------------|-------|------|-------------------------|
| WS-200SP- 1001 | 4690 | 1.0 (0.039) | 36.26 | 17.7 | 230 (9.05) |
| WS-200SP- 1201 | 4695 | 1.2 (0.047) | 36.26 | 17.7 | 240 (9.44) |

New Baffle System



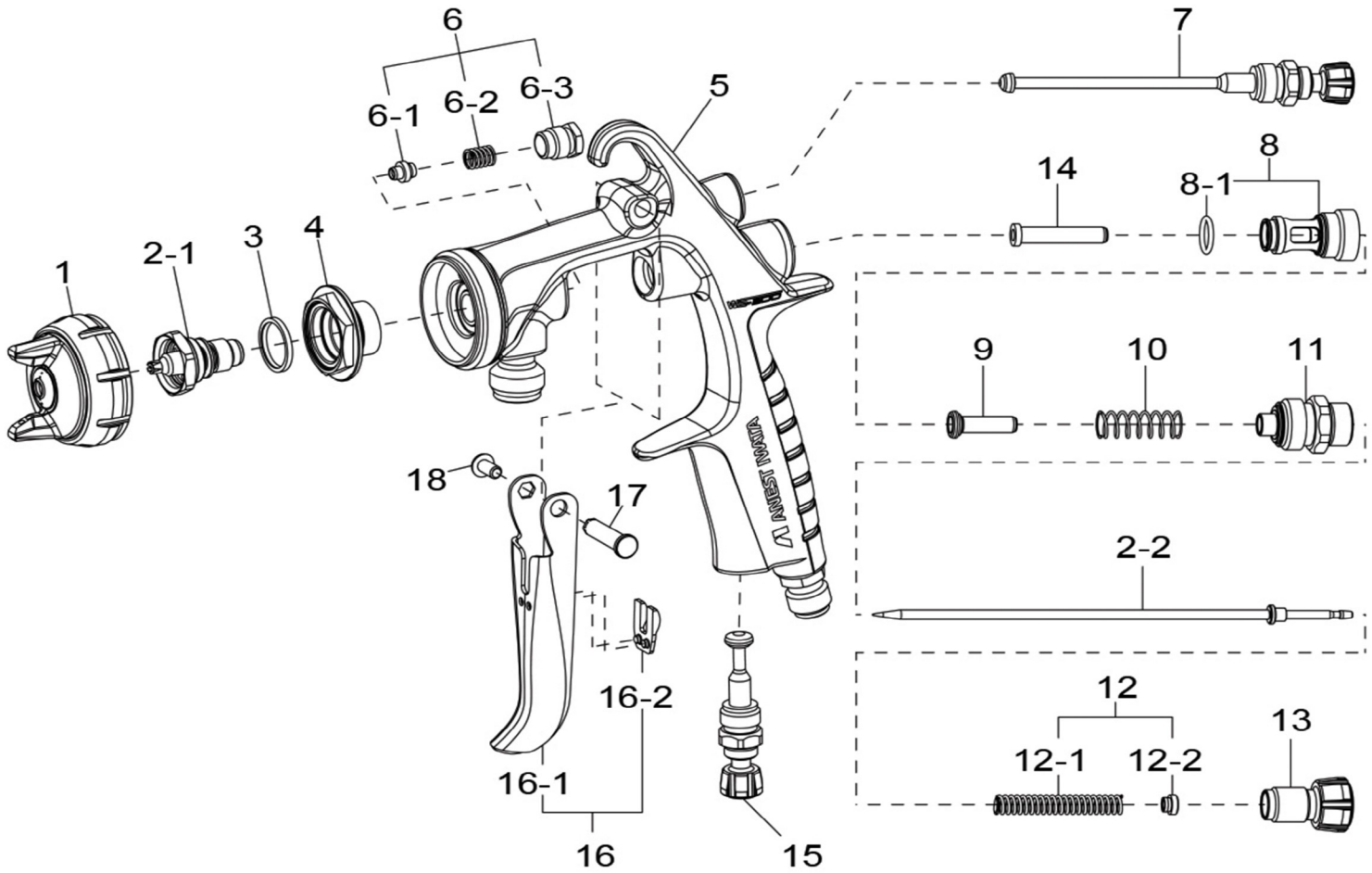
Drop Forged Body





ANEST IWATA

WS200SP



*To disassemble Air valve seat ref. 8, use 10 mm Allen wrench (Non ball point type). (not enclosed)

**To disassemble Hexagon socket button bolt ref. 18, use 2.5 mm Allen wrench. (not enclosed)

| REF# | PART # | DESCRIPTION | REMARKS |
|------|----------|-------------------------|---------------|
| 1 | 93001300 | WS-200SP-01 | SPLIT PATTERN |
| 2 | 93002050 | NOZZLE/NEEDLE SET 0.8SP | SPLIT PATTERN |
| 2 | 93001990 | NOZZLE/NEEDLE SET 1.0SP | SPLIT PATTERN |
| 2 | 93001340 | NOZZLE/NEEDLE SET 1.2SP | SPLIT PATTERN |
| 2-1 | SET ONLY | NOZZLE | |
| 2-2 | SET ONLY | NEEDLE | WS20012H |
| 3 | 93001550 | BAFFLE RING PACKING | |
| 4 | 93001500 | BAFFLE RING | |
| 6 | 93001410 | NEEDLE PACKING SET | |
| 6-1 | 93001420 | NEEDLE PACKING | |
| 6-2 | 93001430 | NEEDLE PACKING SPRING | |
| 6-3 | 93001450 | NEEDLE PACKING NUT | |
| 7 | 93001560 | PATTERN ADJUSTMENT SET | |
| 8 | 93001640 | *AIR VALVE SEAT SET | |
| 8-1 | 93001680 | O RING | |

| REF# | PART # | DESCRIPTION |
|------|----------|----------------------------|
| 9 | 93001690 | AIR VALVE |
| 10 | 93001700 | AIR VALVE SPRING |
| 11 | 93001710 | FLUID ADJUSTMENT GUIDE SET |
| 12 | 93002820 | NEEDLE SPRING SET |
| 12-1 | 93593530 | NEEDLE SPRING |
| 12-2 | 93001760 | NEEDLE SPRING PACKING |
| 13 | 93001780 | FLUID ADJUSTMENT KNOB |
| 14 | 93001790 | AIR VALVE SHAFT |
| 15 | 93001800 | AIR ADJUSTMENT SET |
| 16 | 93001820 | TRIGGER SET |
| 16-1 | 93001850 | TRIGGER |
| 16-2 | 93001860 | TRIGGER PLATE |
| 17 | 93001870 | TRIGGER STUD |
| 18 | 93001960 | **HEX. SOCKET BUTTON BOLT |

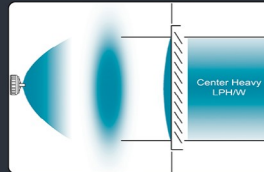
Small Damage | Spot Repair



LPH80

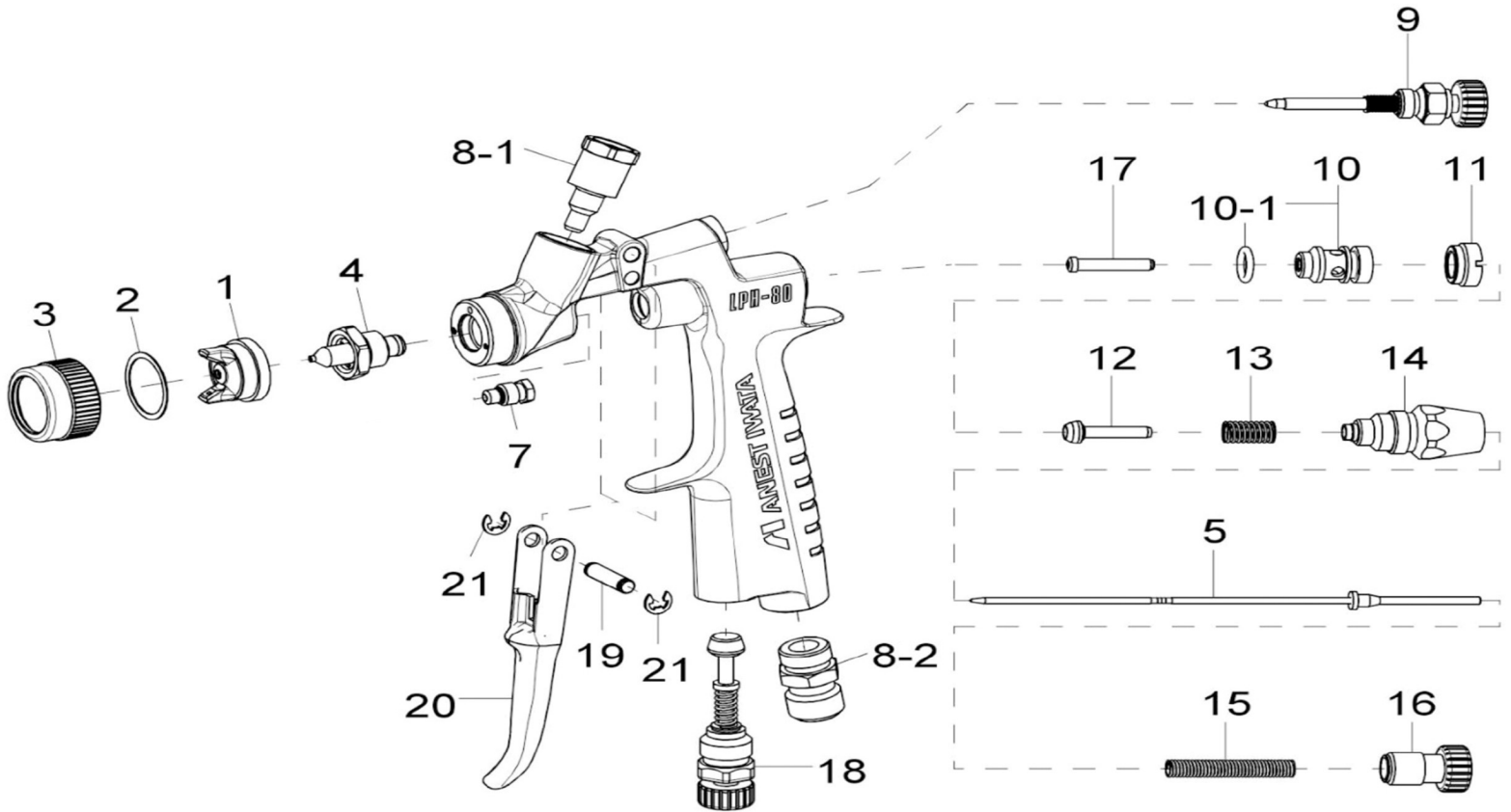


- Very fine atomization with low air consumption
- Smaller pattern, perfect for touch up or small surface work
- Extremely low material usage
- Miniature and light weight



| MODEL | GUN ONLY | WITH 150 ML | NOZZLE mm (inch) | PSI | CFM | PATTERN WIDTH mm (inch) |
|----------------------------|----------|-------------|------------------|-----|-----|-------------------------|
| LPH80-042G | 4900 | 4901 | 0.4 (0.016) | 13 | 1.8 | 41 (1.6) |
| LPH80-062G | 4905 | 4906 | 0.6 (0.024) | 13 | 1.8 | 61 (2.4) |
| LPH80-082G | 4910 | 4911 | 0.8 (0.031) | 13 | 1.8 | 81 (3.2) |
| LPH80-102G | 4915 | 4916 | 1.0 (0.039) | 13 | 1.8 | 99 (3.9) |
| LPH80-122G | 4920 | 4921 | 1.2 (0.047) | 13 | 1.8 | 119 (4.7) |
| LPH80-104G (LARGE PATTERN) | 4925 | 4926 | 1.0 (0.039) | 14 | 2.1 | 130 (5.1) |
| LPH80-124G (LARGE PATTERN) | 4930 | 4931 | 1.2 (0.047) | 14 | 2.1 | 140 (5.5) |

| 2 oz PLASTIC | 70 ML ALUMINUM | 150 ML ALUMINUM | REPLACEMENT BLUE LID | REBUILD KIT | COMPACT REGULATOR | PISTON REGULATOR |
|---|---|---|---|--|---|---|
| 9169 | 6050 | 6036D | 94007321 | 2860 | 8130B | 8131B |
|  |  |  |  |  |  |  |



| REF# | PART # | DESCRIPTION | REMARKS |
|------|----------|----------------------|-------------------------|
| 1 | 93557600 | AIR CAP | 0.4/0.6/0.8/1.0/1.2 |
| 1 | 93662600 | AIR CAP "LPH80-E4" | 1.0/1.2 (Wider Pattern) |
| 2 | 93558600 | AIR CAP GASKET | |
| 3 | 93559600 | COVER RING | |
| 4 | 93570600 | FLUID NOZZLE 0.4 | MARKED AS L50/04 |
| 4 | 93568600 | FLUID NOZZLE 0.6 | MARKED AS L50/06 |
| 4 | 93761530 | FLUID NOZZLE 0.8 | MARKED AS L80/08 |
| 4 | 93560600 | FLUID NOZZLE 1.0 | MARKED AS L50/10 |
| 4 | 93760530 | FLUID NOZZLE 1.2 | MARKED AS L80/12 |
| 5 | 93891600 | FLUID NEEDLE 0.4 | MARKED AS I |
| 5 | 93890600 | FLUID NEEDLE 0.6/0.8 | MARKED AS II |
| 5 | 93886600 | FLUID NEEDLE 1.0/1.2 | MARKED AS 111 |
| 7 | 93940890 | NEEDLE PACKING SET | |
| 8-1 | 93753530 | FLUID NIPPLE 1/8" | |
| 8-2 | 93660300 | AIR NIPPLE 1/4" | |
| N/P | 93538600 | GUN WRENCH | |

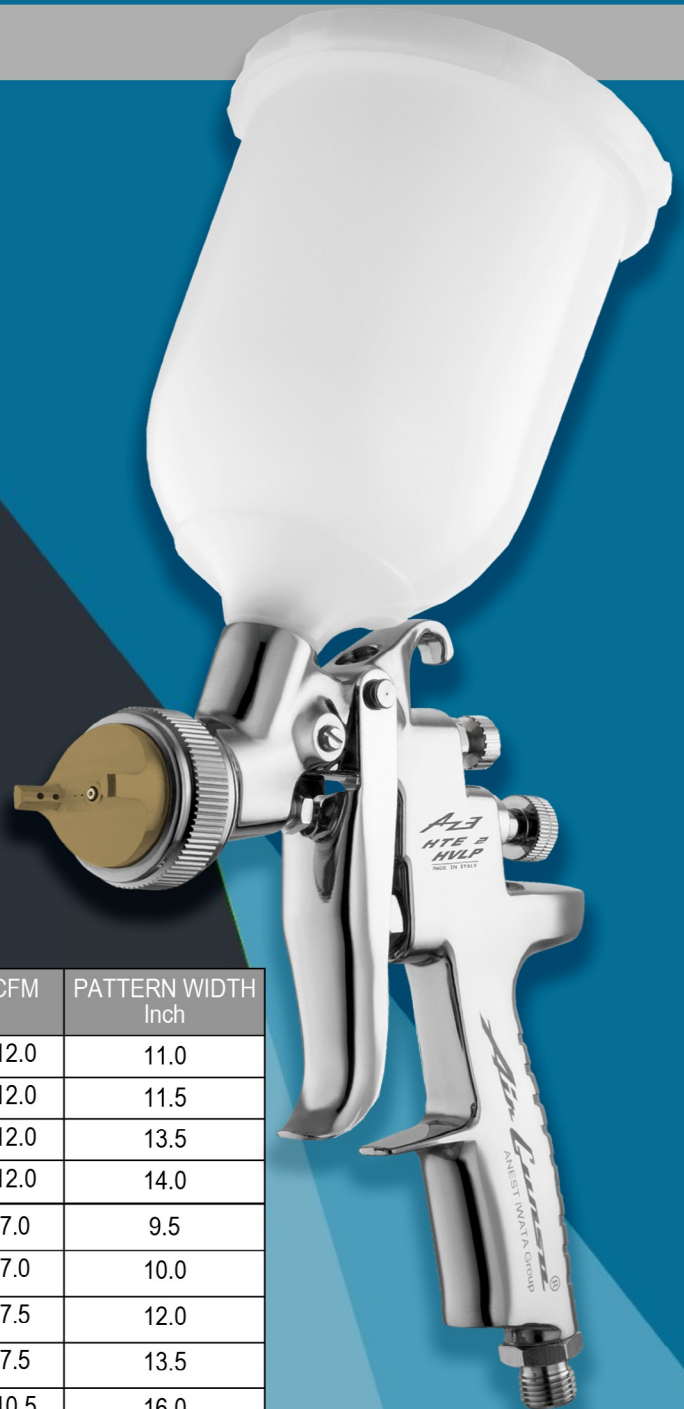
| REF# | PART # | DESCRIPTION |
|--------------------|----------|--------------------------------------|
| 9 | 93748530 | PATTERN ADJUST SET |
| 10 | 93912880 | AIR VALVE SEAT SET |
| 10-1 | 96638005 | O RING |
| 11 | 93011880 | AIR VALVE SEAT SCREW |
| 12 | 93013880 | AIR VALVE |
| 13 | 93012880 | AIR VALVE SPRING |
| 14 | 93936880 | FLUID ADJUST GUIDE SET |
| 15 | 93015880 | FLUID NEEDLE SPRING |
| 16 | 93754530 | FLUID ADJUST KNOB |
| 17 | 93006880 | AIR VALVE SHAFT |
| 18 | 93845531 | AIR ADJUST SET |
| 19 | 93167890 | TRIGGER STUD |
| 20 | 93162890 | TRIGGER |
| 21 | 93912030 | STOPPER |
| N/P | 2860 | REPAIR KIT (Includes Ref# 7,10-1,21) |
| *N/P Not Pictured* | | 2018 EDITION |

Primer| Sealer



AZ3 HV2 HVLP AZ3 HTE2

- Available in HVLP and Non-HVLP
- Ergonomic design
- Smooth finish for easy cleaning
- Affordable quality
- 600 ml plastic cup included
- O-ring kit Part # 9166

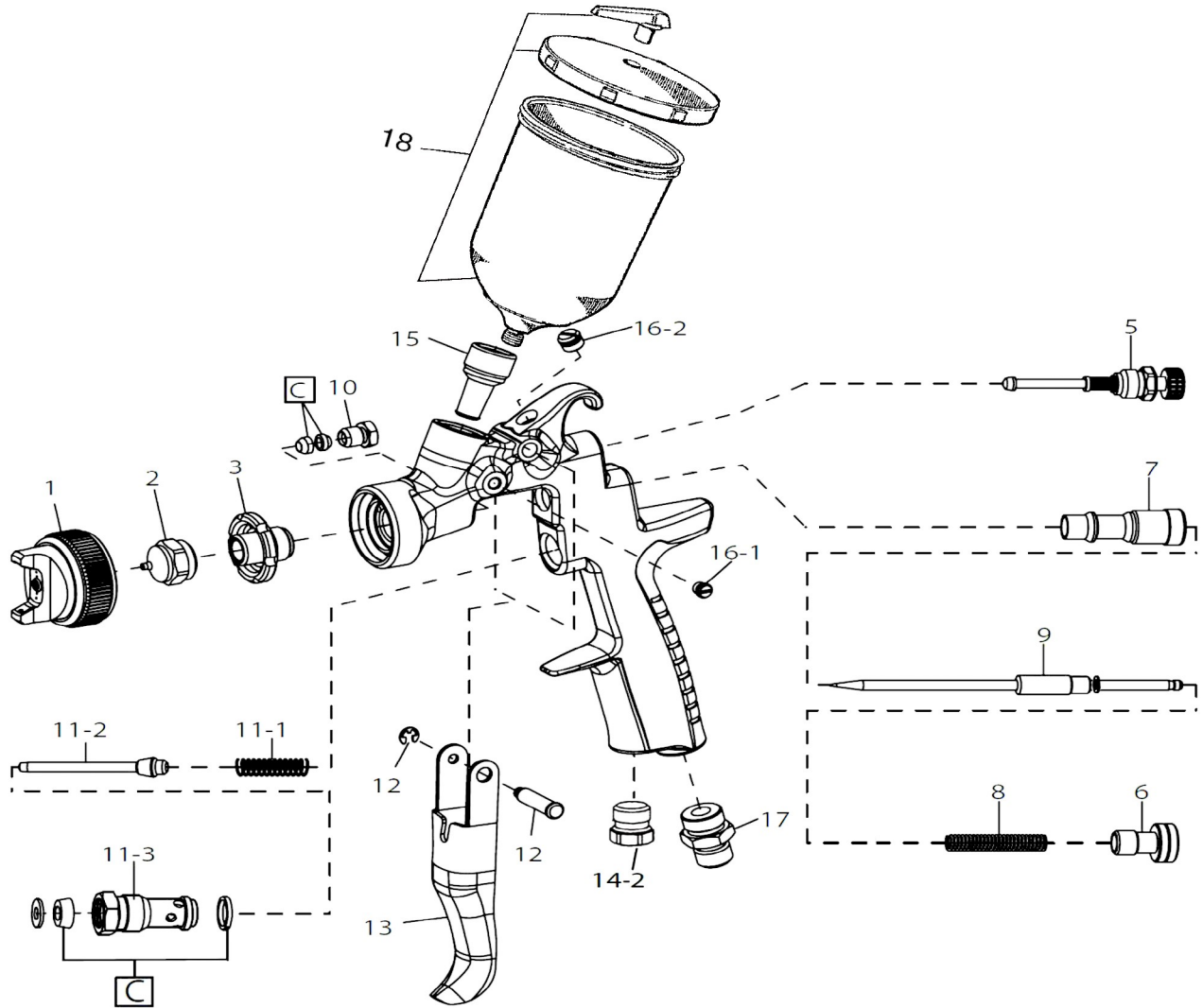


| MODEL | GUN WITH 600 ML CUP | NOZZLE SIZE | PSI | CFM | PATTERN WIDTH Inch |
|------------------|---------------------|-------------|-----|------|--------------------|
| AZ3HV2-13GC HVLP | 9230 | 1.3 | 30 | 12.0 | 11.0 |
| AZ3HV2-15GC HVLP | 9231 | 1.5 | 30 | 12.0 | 11.5 |
| AZ3HV2-18GC HVLP | 9232 | 1.8 | 30 | 12.0 | 13.5 |
| AZ3HV2-20GC HVLP | 9233 | 2.0 | 30 | 12.0 | 14.0 |
| AZ3HTE2-13GC | 9234 | 1.3 | 29 | 7.0 | 9.5 |
| AZ3HTE2-15GC | 9235 | 1.5 | 29 | 7.0 | 10.0 |
| AZ3HTE2-18GC | 9236 | 1.8 | 29 | 7.5 | 12.0 |
| AZ3HTE2-20GC | 9237 | 2.0 | 29 | 7.5 | 13.5 |
| AZ3HTE2-30GC | 9238 | 3.0 | 44 | 10.5 | 16.0 |
| AZ3HTE2-35GC | 9239 | 3.5 | 44 | 10.5 | 16.5 |

*Air Gunsa spray guns do not come with a gun wrench.

| 600 ML CUP PLASTIC | 700 ML CUP ALUMINUM | 1000 ML CUP ALUMINUM | REPLACEMENT BLUE LID | COMPACT REGULATOR |
|---|---|---|---|--|
| 9131 | 6032D | 6038D | 94008321 | 8130B |
|  |  |  |  |  |

AZE HV2 | AZE HTE2



| REF# | PART # | DESCRIPTION | REMARKS |
|------|----------|---------------------------------|-----------------------|
| 1 | 9250 | AIR CAP SET AZ3HTE2 (NON-HVLP) | 1.3 / 1.5 |
| 1 | 9251 | AIR CAP SET AZ3HTE2 (NON-HVLP) | 1.8 / 2.0 |
| 1 | 9252 | AIR CAP SET AZ3HTE2 (NON-HVLP) | 3.0 |
| 1 | 9253 | AIR CAP SET AZ3HTE2 (NON-HVLP) | 3.5 |
| 1 | 9254 | AIR CAP SET AZ3HV2 (HVLP) | 1.3 / 1.5 / 1.8 / 2.0 |
| 2 | 9186 | NOZZLE/NEEDLE SET 1.3 (AZ3HTE2) | NON-HVLP |
| 2 | 9187 | NOZZLE/NEEDLE SET 1.5 (AZ3HTE2) | NON-HVLP |
| 2 | 9220 | NOZZLE/NEEDLE SET 1.8 (AZ3HTE2) | NON-HVLP |
| 2 | 9221 | NOZZLE/NEEDLE SET 2.0 (AZ3HTE2) | NON-HVLP |
| 2 | 9224 | NOZZLE/NEEDLE SET 3.0 (AZ3HTE2) | NON-HVLP |
| 2 | 9225 | NOZZLE/NEEDLE SET 3.5 (AZ3HTE2) | NON-HVLP |
| 2 | 9173 | NOZZLE/NEEDLE SET 1.3 (AZ3HV2) | HVLP |
| 2 | 9152 | NOZZLE/NEEDLE SET 1.5 (AZ3HV2) | HVLP |
| 2 | 9153 | NOZZLE/NEEDLE SET 1.8 (AZ3HV2) | HVLP |
| 2 | 9154 | NOZZLE/NEEDLE SET 2.0 (AZ3HV2) | HVLP |
| 3 | 9193 | NOZZLE HOLDER | |
| 5 | 93842601 | PATTERN ADJUSTMENT SET | |
| 6 | 9145B | FLUID NEEDLE ADJUSTMENT KNOB | |
| N/P | 93538600 | GUN WRENCH | |
| N/P | 9259 | SLIDE RING KIT | |

| REF# | PART # | DESCRIPTION |
|------|----------|---------------------------------|
| 7 | 9135 | NEEDLE GUIDE |
| 8 | 9155B | NEEDLE SPRING |
| 9 | SET | FLUID NEEDLE (SOLD IN SET ONLY) |
| 10 | 9134 | NEEDLE PACKING NUT |
| 11 | 9211 | AIR VALVE SET |
| 11-1 | 9156B | AIR VALVE SPRING |
| 11-2 | 9146B | AIR VALVE SHAFT |
| 11-3 | 9148 | AIR VALVE SEAT |
| 12 | 9133 | TRIGGER STUD |
| 13 | 9256 | TRIGGER |
| 14-1 | 93845531 | AIR ADJUST SET |
| 14-2 | 93625370 | PLUG (HTE2 / HV2 (HVLP)) |
| 15 | 9195 | THREADED BUSHING |
| 16-1 | 9196 | SCREW |
| 16-2 | 9257 | PLUG |
| 17 | 9213 | AIR NIPPLE |
| 18 | 9131 | 600ML AKULON CUP SET |
| C | 9166 | PACKING SET |
| N/P | 9197 | SPECIAL NOZZLE WRENCH |
| N/P | 9167 | FILTER SET (5 PACK) |

N/P Not pictured

2018 EDITION



Assemble fluid nozzle



Tighten up the fluid nozzle with spanner wrench*



Assemble the air cap and hand-tighten it



Grease the needle



Insert the needle



Grease the fluid adj. knob screw



Grease the needle spring



Grease the air valve bar behind the trigger



Adjust (15 - 60 degree tighter) needle packing with spanner universal



Check the trigger and needle travel smoothly



brush \varnothing 3mm



brush \varnothing 10mm



brush \varnothing 15mm



brush



needle



spanner wrench*



lubricant

For water and solvent based paint. When cleaning your spraygun make sure solvent and water is blown out or dry with a towel.



610 D 70 Avenue SE Calgary Alberta T2H 2J6

TF 800.206.7815 www.cpc coatings.ca sales@cpc coatings.ca